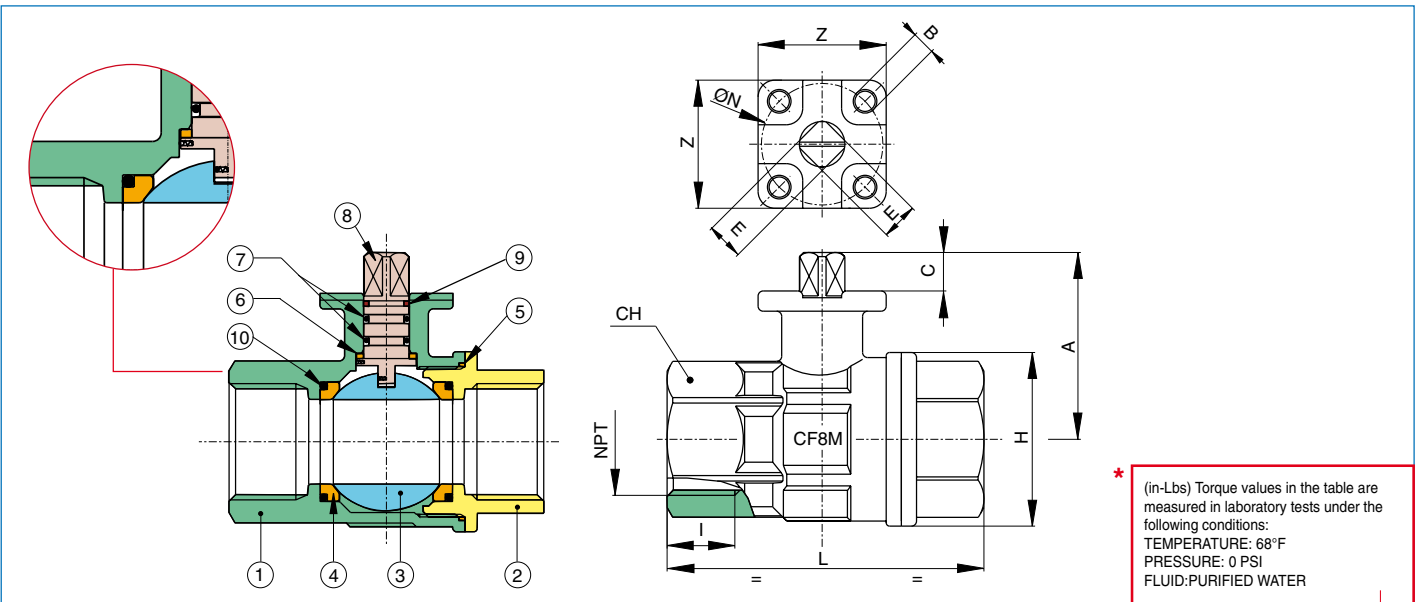




## SERIES 700076 STAINLESS STEEL DIRECT MOUNT BALL VALVE

2 pc stainless steel ASTM A351 - CF8M ball valve, with ISO 5211 pad.

- Full port sizes 1/2" to 2".
- Pressure rating 1000 psi WOG - 150 psi steam.
- Temperature to 366°F.
- Blow out proof stem.
- P.T.F.E. seats with O-RING backing for low operating torque.
- P.T.F.E. seals and double O-RING stem packing.
- 100% electronically tested in the open and closed position at 80 psi.



\* (in-Lbs) Torque values in the table are measured in laboratory tests under the following conditions:  
 TEMPERATURE: 68°F  
 PRESSURE: 0 PSI  
 FLUID: PURIFIED WATER

N Pos	PART NAME	MATERIAL	N PCS	SIZE	I	L	H	CH	A	C	E	ØN	B	Z	CV	psi	Lbs	* in-Lbs
1	BODY	CF8M		1/2"	0.59	2.63	1.35	1.06	1.63	0.35	0.35	1.42 (ISO F03)	0.23	1.49	16.30	1000	0.68	53.10
2	END CONNECTION	CF8M		3/4"	0.64	3.07	1.65	1.25	1.71	0.35	0.35	1.42 (ISO F03)	0.23	1.49	29.50	1000	0.91	53.10
3	BALL	AISI316-CF8M		1"	0.75	3.54	2.02	1.61	2.10	0.35	0.35	1.42 (ISO F03)	0.23	1.49	43.00	1000	1.35	53.10
4	BALL SEAT	P.T.F.E		1 1/4"	0.84	3.93	2.53	1.96	2.24	0.35	0.35	1.42 (ISO F03)	0.23	1.49	89.00	1000	2.22	53.10
5	SEAT	P.T.F.E		1 1/2"	0.84	4.40	3.03	2.16	2.91	0.43	0.43	1.97 (ISO F05)	0.27	1.96	230.00	1000	3.69	150.46
6	STEM SEAL	P.T.F.E		2"	1.01	5.31	3.81	2.75	3.27	0.43	0.43	1.97 (ISO F05)	0.27	1.96	265.00	1000	6.49	150.46
7	O-RING	FKM (Viton®)																
8	STEM	AISI 316																
9	STEM SEAT	P.T.F.E.																
10	O-RING	FKM (Viton®)																

