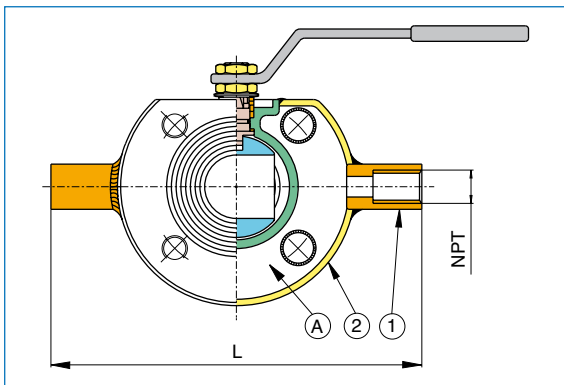


WAFER

SERIES WAFER - SPECIAL USES



Flanged ball valve, with heating jacket in stainless or carbon steel.
 • Full port sizes from 1/2" to 8".



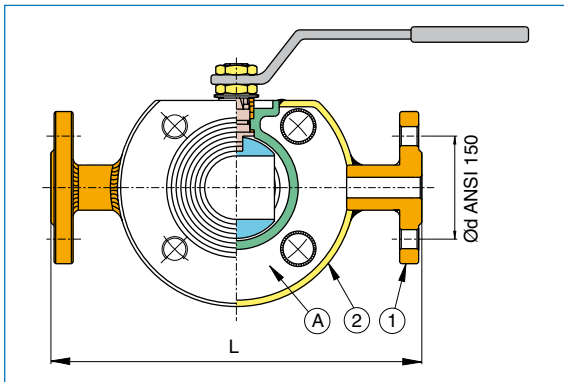
N Pos	PART NAME	MATERIAL	N PCS
1	END CONNECTION	ASTM A105 - AISI 316	2
2	JACKET	STEEL - STAINLESS STEEL	1
A	INTERSTICE	-	-

SIZE	1/2"	3/4"	1"	1"1/4	1"1/2	2"	2"1/2	3"	4"	5"	6"	8"
Ød	1/2"						1"					
L	7.00	7.36	7.79	8.58	9.05	9.44	10.23	11.02	12.79	14.56	16.53	20.47

SERIES WAFER - SPECIAL USES



Flanged ball valve, with heating jacket in stainless or carbon steel.
 • Full port sizes from 1/2" to 8".



N Pos	PART NAME	MATERIAL	N PCS
1	END CONNECTION	ASTM A105 - AISI 316	2
2	JACKET	STEEL - STAINLESS STEEL	1
A	INTERSTICE	-	-

SIZE	1/2"	3/4"	1"	1"1/4	1"1/2	2"	2"1/2	3"	4"	5"	6"	8"
Ød	1/2"						1"					
L	7.00	7.36	7.79	8.58	9.05	9.44	10.23	11.02	12.79	14.56	16.53	20.47